

Locations :

- ◆ Atlanta
- ◆ Portland
- ◆ Salt Lake City
- ◆ San Francisco
- ◆ Savannah
- ◆ Seattle
- ◆ Spokane



cosmosurfaces.com



Premium
Sink
Collection
By **Cosmos**

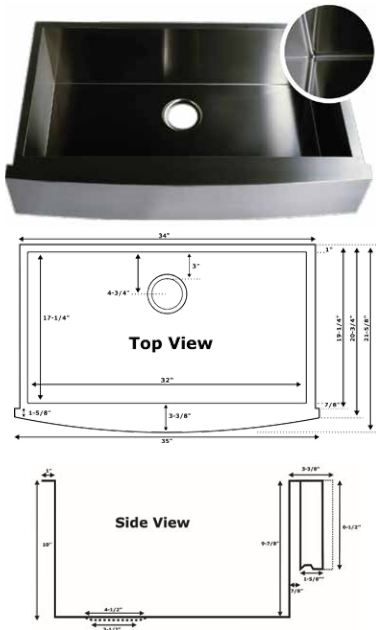
cosmosurfaces.com

MERCURY

Mercury sinks are a perfect balance of contemporary design and practicality. They are manufactured with 304 Stainless Steel and in 16 gauge for superior strength & better durability. These sinks are available in two formats - zero radius and small radius, allowing you to pick the right model for your space. Firm and rugged, the Satin Finish and curved Apron front add beauty to any kitchen. The Sound pads and sound spray help in sound deadening while the accessories add to the functionality of the sink.

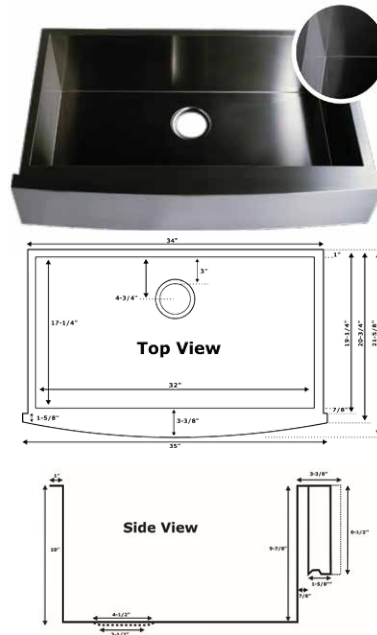
MERCURY R10

- Outer Dimension:** 35" x 21-1/2" x 10"
- Inner Dimension:** 32" x 17-1/4" x 9-7/8"
- Installation Type:** Drop-In, Apron
- Accessories:** Grid, Strainer
- Drain Location:** Back Centered



MERCURY R0

- Outer Dimension:** 35" x 21-1/2" x 10"
- Inner Dimension:** 32" x 17-1/4" x 9-7/8"
- Installation Type:** Drop-In, Apron
- Accessories:** Grid, Strainer
- Drain Location:** Back Centered

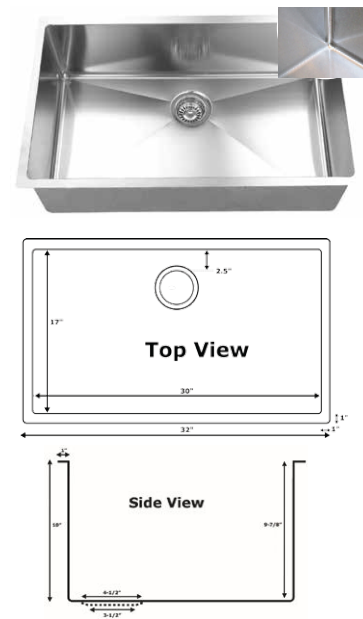


PHOENIX

Phoenix sinks are yet another example of contemporary design and practicality. They are manufactured with 304 Stainless Steel and in 16 gauge for superior strength & better durability. These sinks are available in two - zero radius and small radius, allowing you to pick the right model for your space. Firm and rugged with Satin Finish, these sinks are a perfect addition to any modern kitchen. The Sound pads and sound spray help in sound deadening while the accessories add to the functionality of the sink.

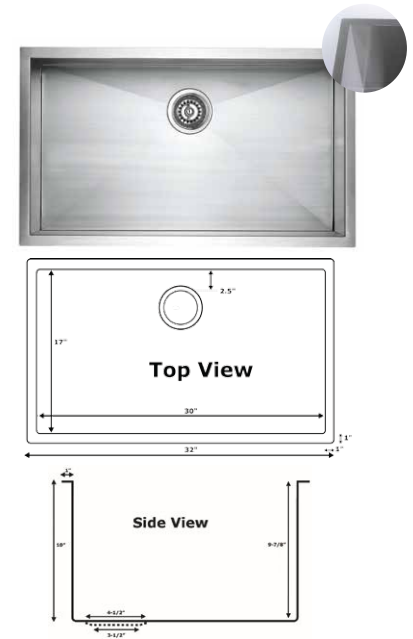
PHOENIX R10

- Outer Dimension:** 32" x 19" x 10"
- Inner Dimension:** 30" x 17" x 9-7/8"
- Installation Type:** Under mount
- Accessories:** Grid, Strainer
- Drain Location:** Back Centered



PHOENIX R0

- Outer Dimension:** 32" x 19" x 10"
- Inner Dimension:** 30" x 17" x 9-7/8"
- Installation Type:** Under mount
- Accessories:** Grid, Strainer
- Drain Location:** Back Centered

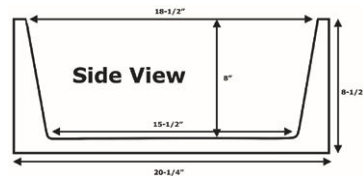
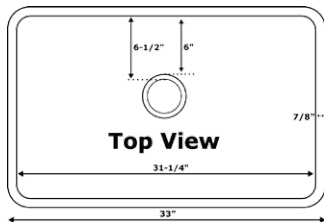


ORION

Orion sinks are the newest addition to the porcelain sinks offered by Cosmos. The Orion sinks are just as aesthetically pleasing as they are functional. Made of Fire clay and treated to perfection, these sinks have been built to last an eternity and give a classy touch to a contemporary area. The Orion sinks come in two formats - Farm and Pixie and ooze elegance.

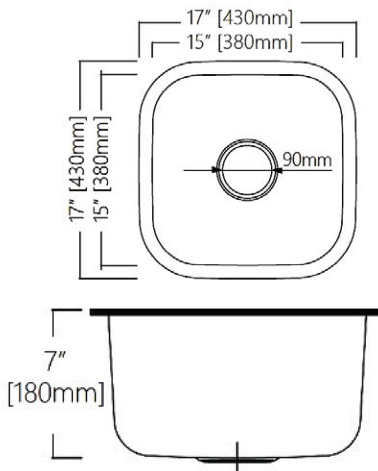
ORION FARM

- Outer Dimension:** 33" x 20-1/4" x 8-1/2"
- Inner Dimension:** 31-1/2" x 18-1/2" x 8"
- Installation Type:** Top mount
- Accessories:** Grid, Strainer
- Drain Location:** Back Centered



ORION PIXIE

- Outer Dimension:** 17-3/4" x 17-3/4" x 7-7/8"
- Inner Dimension:** 15-1/2" x 15-1/2" x 7-1/4"
- Installation Type:** Under mount
- Accessories:** Grid, Strainer
- Drain Location:** Centered

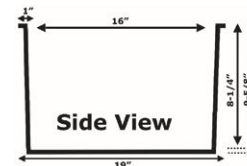
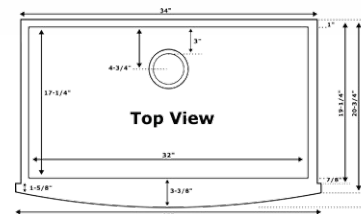


VORTEX

Vortex sinks are the very first of the composite sinks offered by Cosmos and quite possibly the toughest sinks on the market. Tested with just about every product you shouldn't use in a sink, the Vortex resisted stains and proved very easy to clean. The Vortex Sink with its 3/8" thick walls and increased center support is stronger than any competitor sink tested for center deflection. These sinks are currently available in black and two formats - single bowl and 50/50 and are a perfect addition to any modern, heavy use kitchen.

VORTEX SINGLE BOWL

- Outer Dimension:** 32" x 18" x 9-5/8"
- Inner Dimension:** 30" x 16" x 8-5/8"
- Installation Type:** Under mount
- Accessories:** Grid, Strainer
- Drain Location:** Back Centered



VORTEX 50/50

- Outer Dimension:** 31-5/8" x 18-7/8" x 9"
- Inner Dimension:** 14-1/8" x 16-5/8" x 8-1/4"
- Installation Type:** Under mount
- Accessories:** Grid, Strainer
- Drain Location:** Back Centered

